



US00D829337S

(12) **United States Design Patent** (10) **Patent No.:** **US D829,337 S**
Klein et al. (45) **Date of Patent:** **** Sep. 25, 2018**

(54) **ASSAY READER**

6,136,610 A 10/2000 Polito et al.
6,207,369 B1 3/2001 Wohlstadter et al.
7,044,919 B1 5/2006 Catt et al.

(71) Applicant: **Neogen Corporation**, Lansing, MI (US)

(Continued)

(72) Inventors: **Frank Eric Klein**, Howell, MI (US);
Andrew John Wheeler, Hollis Center, ME (US); **Andrew John DenHartigh**, Lansing, MI (US); **William Hoerner**, Lansing, MI (US); **Nathaniel Banner**, Lansing, MI (US); **Damon Borich**, Austin, TX (US); **Andrea Grbavac**, Austin, TX (US); **Alejandro Silveyra**, Austin, TX (US); **Michelle Silveyra**, Austin, TX (US); **Zwckxally Obregon**, Cedar Creek, TX (US)

FOREIGN PATENT DOCUMENTS

WO WO2009038798 A1 3/2009
WO WO2011140476 A1 11/2011

(Continued)

OTHER PUBLICATIONS

2012 Neogen Corporation's Product Brochure for AccuScan Pro, 1 page.

(Continued)

Primary Examiner — Anhdao Doan

(73) Assignee: **NEOGEN CORPORATION**, Lansing, MI (US)

(74) *Attorney, Agent, or Firm* — Honigman Miller Schwartz and Cohn LLP; Douglas H. Siegel; Jonathan P. O'Brien

(**) Term: **15 Years**

(57) **CLAIM**

(21) Appl. No.: **29/600,835**

The ornamental design for an assay reader, as shown and described.

(22) Filed: **Apr. 17, 2017**

DESCRIPTION

(51) **LOC (11) Cl.** **24-01**

(52) **U.S. Cl.**

USPC **D24/216**; D24/186

(58) **Field of Classification Search**

USPC D24/107, 169, 185, 186, 216–219, D24/231–234; D10/81

CPC G01N 21/0483; G01N 21/0303; G01N 35/00029; G01N 35/00019; G01N 2035/00326; G01N 21/6428; G01N 21/6486; G01N 2201/061

See application file for complete search history.

FIG. 1 is a right front top perspective view of the assay reader; FIG. 2 is a left back top perspective view thereof; FIG. 3 is a front elevational view thereof; FIG. 4 is a back elevational view thereof; FIG. 5 is a right-side elevational view thereof; FIG. 6 is a left-side elevational view thereof; FIG. 7 is a top plan view thereof; and, FIG. 8 is a bottom plan view thereof.

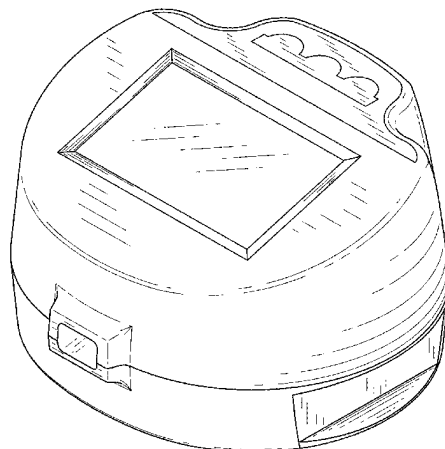
The broken lines immediately adjacent the shaded areas represent the bounds of the claim, while all other broken lines are directed to environment and are for illustrative purposes only; the broken lines form no part of the claimed design.

(56) **References Cited**

U.S. PATENT DOCUMENTS

4,920,046 A 4/1990 McFarland et al.
6,124,585 A 9/2000 Riedel et al.

1 Claim, 6 Drawing Sheets



(56)

References Cited

U.S. PATENT DOCUMENTS

7,172,897 B2 2/2007 Blackburn et al.
 D571,474 S * 6/2008 Sjo-Gaber D24/186
 D612,514 S * 3/2010 Johnston D24/232
 8,005,280 B2 8/2011 Mott et al.
 D682,432 S * 5/2013 Khan D24/186
 8,475,731 B2 7/2013 Abraham et al.
 8,848,988 B2 9/2014 Plickert et al.
 8,883,489 B2 11/2014 Pang et al.
 9,008,373 B2 4/2015 Markovsky et al.
 D746,999 S * 1/2016 Jonsson D24/216
 D759,253 S * 6/2016 Bar-Or D24/216
 D762,860 S * 8/2016 He D24/186
 9,488,657 B2 11/2016 Graham et al.
 2006/0292036 A1 12/2006 Gould et al.
 2008/0031779 A1 2/2008 Polito et al.
 2011/0008880 A1* 1/2011 Uehata G01N 35/00029
 435/288.7
 2011/0171754 A1 7/2011 Redmond et al.
 2013/0309778 A1* 11/2013 Lowe G01N 35/0098
 436/501
 2014/0057362 A1 2/2014 Markovsky et al.
 2014/0120556 A1 5/2014 Moll et al.
 2014/0154792 A1 6/2014 Moynihan et al.
 2014/0271362 A1 9/2014 Markovsky et al.
 2014/0334980 A1 11/2014 Graham et al.
 2015/0004717 A1* 1/2015 McDevitt G01N 35/00029
 436/501
 2015/0276613 A1 10/2015 Markovsky
 2016/0103075 A1 4/2016 Borich et al.
 2016/0187239 A1 6/2016 Givens et al.

FOREIGN PATENT DOCUMENTS

WO WO2012027583 A2 3/2012
 WO WO2014126918 A1 8/2014
 WO WO2016203019 A1 12/2016

OTHER PUBLICATIONS

2014 Neogen Corporation's AccuScan Pro User Manual, 14 pages.
 Alere™ Reader, 7 pages, [date unknown].
 NPL Neogen Corporation's user guide presentation regarding AccuScan Pro, Aug. 2012, 13 pages.
 Neogen Corporation's User's Guide for Reveal AccuScan III, Nov. 2010, 9 pages.
 Reveal Sciences CareType™ Analysis System, 2 pages, 2009.
 Charm EZ brochure, Jun. 2015, 4 pages.
 Charm EZ Lite brochure, May 2015, 2 pages.
 Charm EZ-M brochure, Sep. 2015, 4 pages.
 ESEQuant Lateral Flow Reader, 3 pages, believed to be publicly available before Apr. 17, 2016.
 IDEXX SNAPSHOT DSR Reader Operator's Guide, 2008, 100 pages.
 Siemens Medical Solutions USA, Inc.'s "Clinitek Status+ Urine Analyzer", 4 pages, believed to be publicly available before Apr. 17, 2016.
 Skannex BioAssay Reader Systems™ SkanMulti, 2 pages, believed to be publicly available before Apr. 17, 2016.
 VICAM's Vertu Lateral Flow Reader, 1 page, believed to be publicly available before Apr. 17, 2016.

* cited by examiner

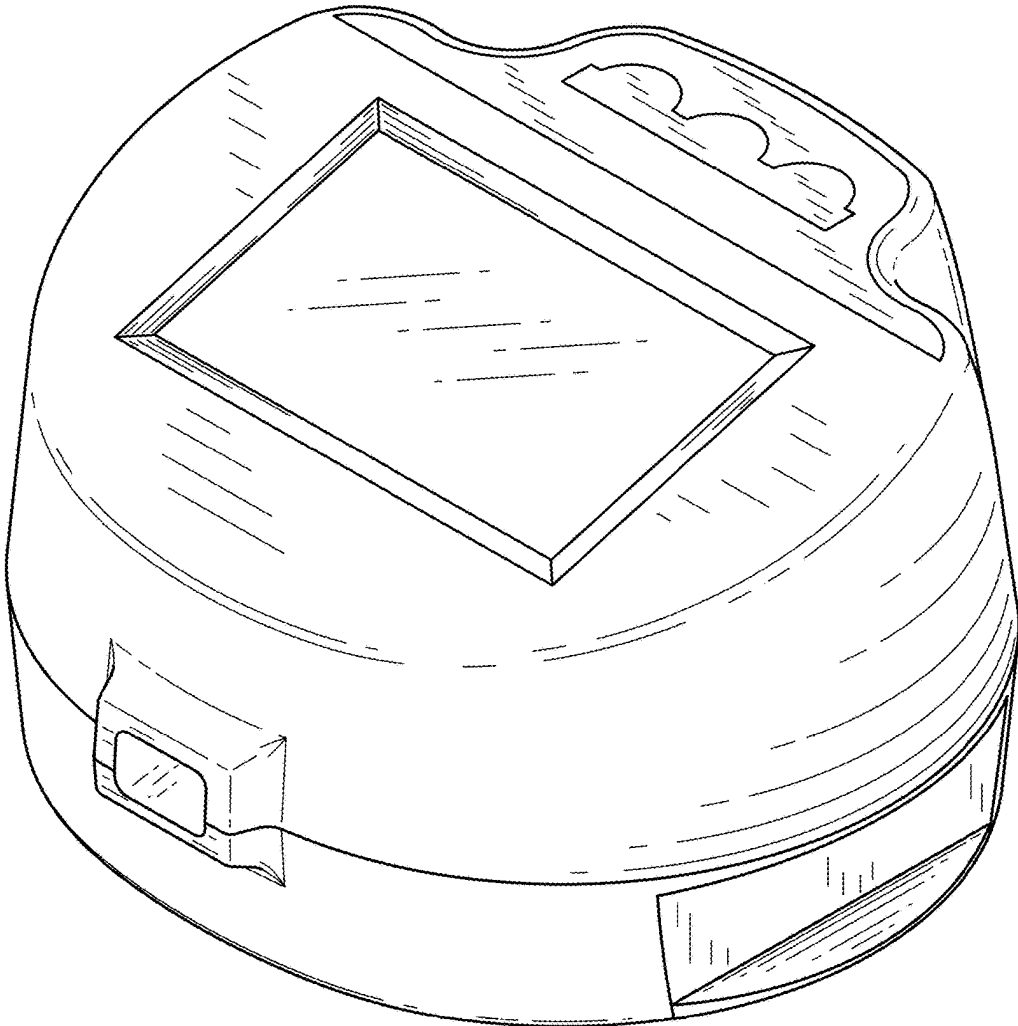


FIG. 1

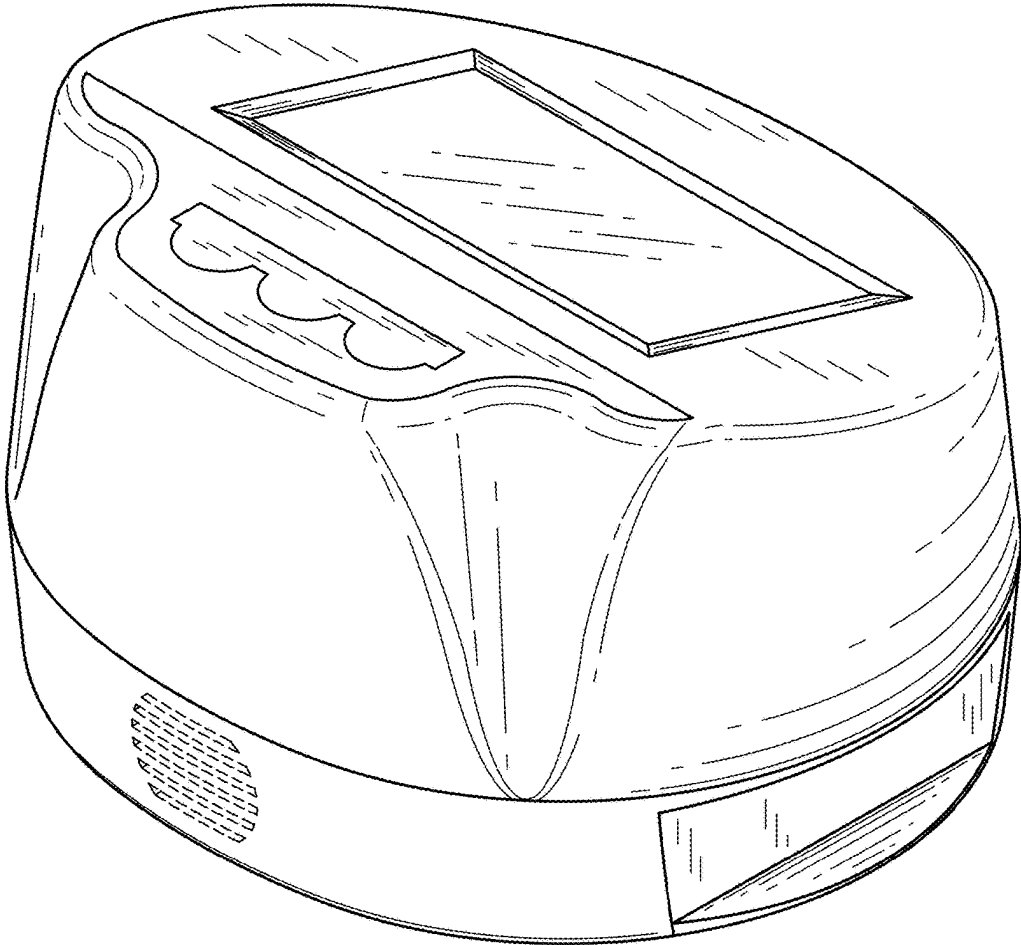


FIG. 2

REPLACEMENT SHEET
3/6

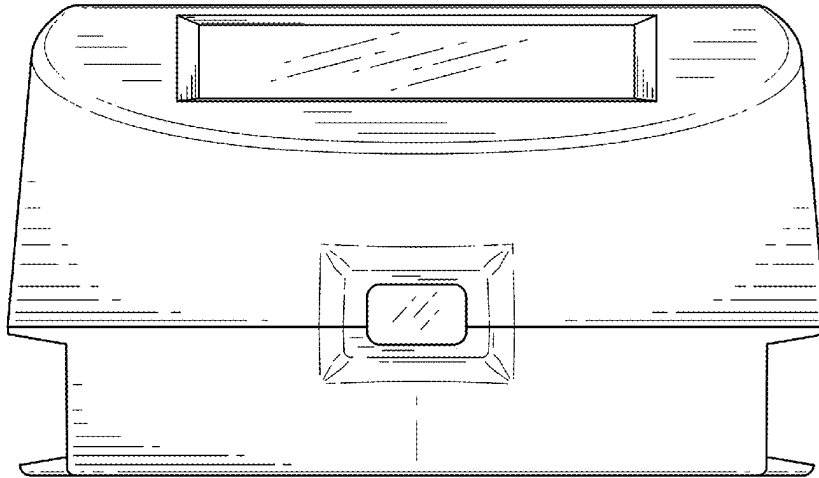


FIG. 3

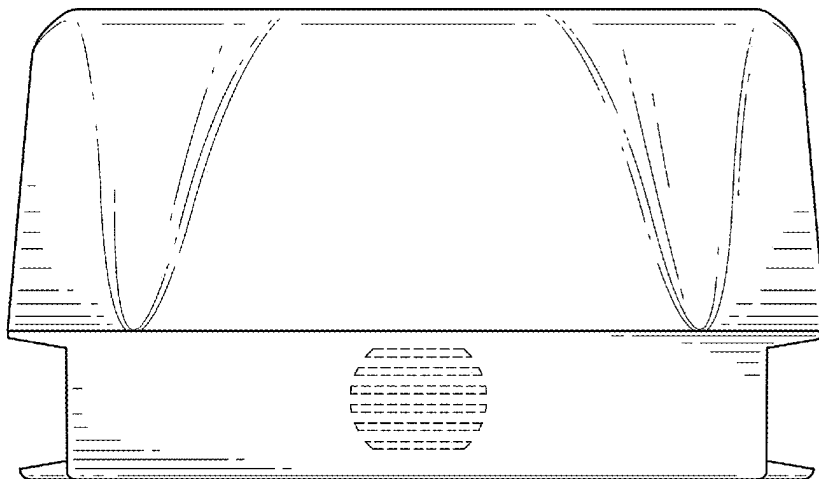


FIG. 4

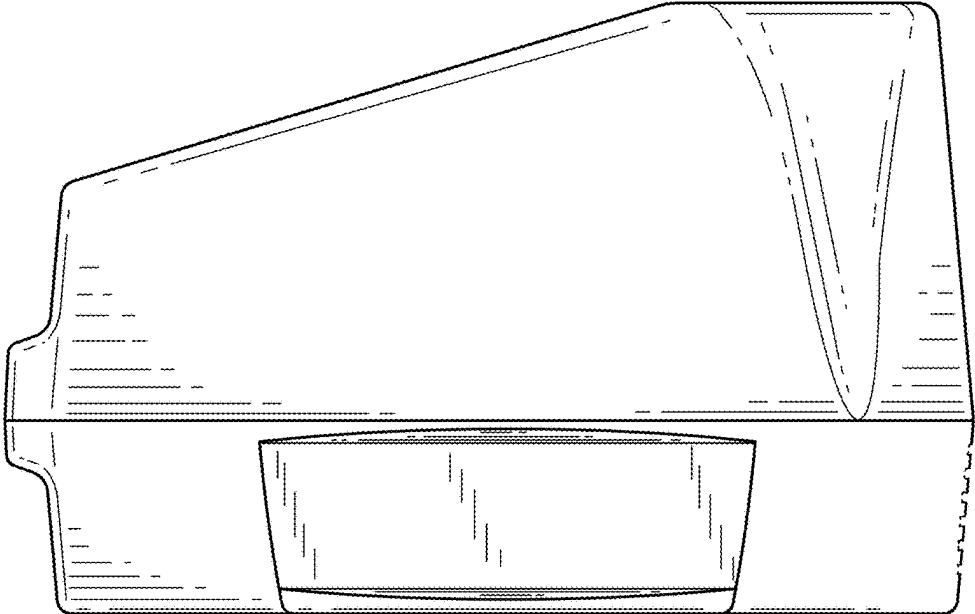


FIG. 5

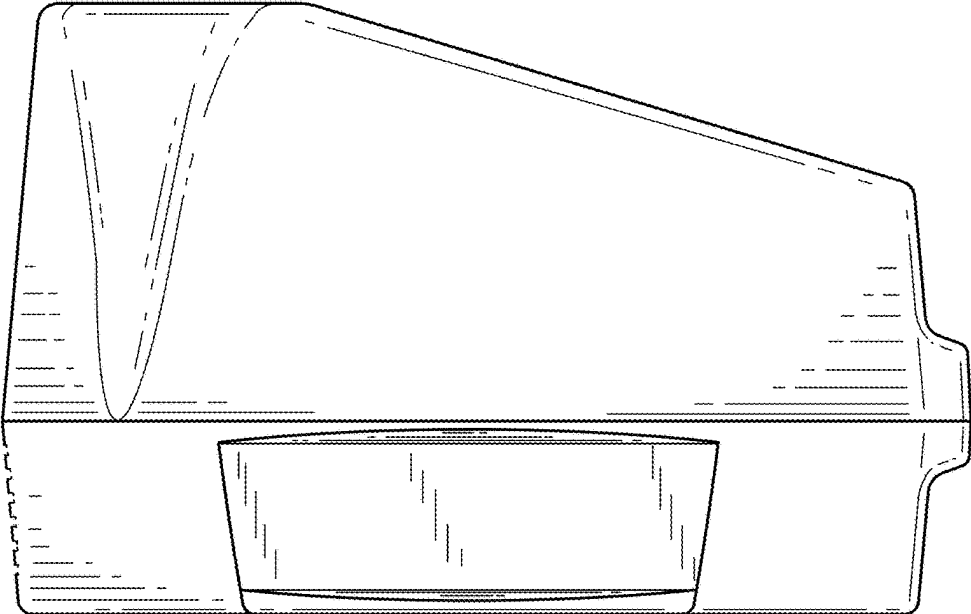


FIG. 6

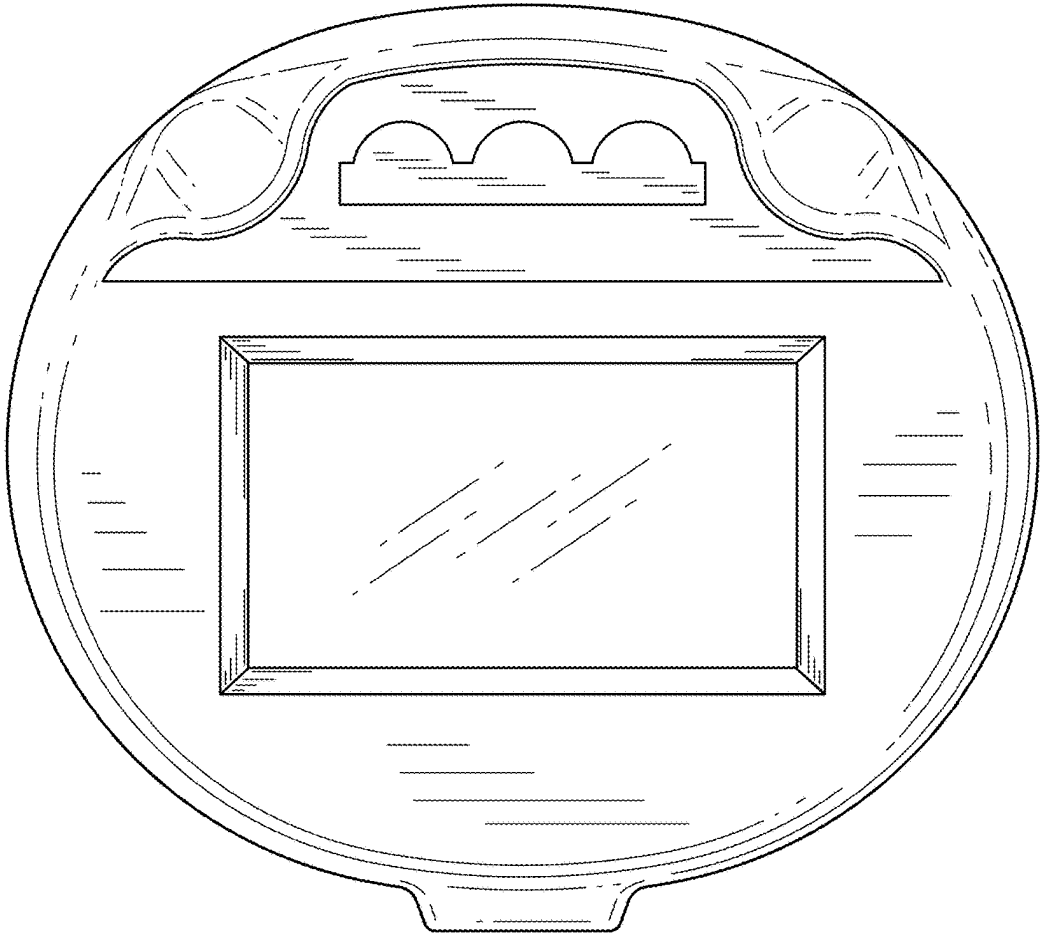


FIG. 7

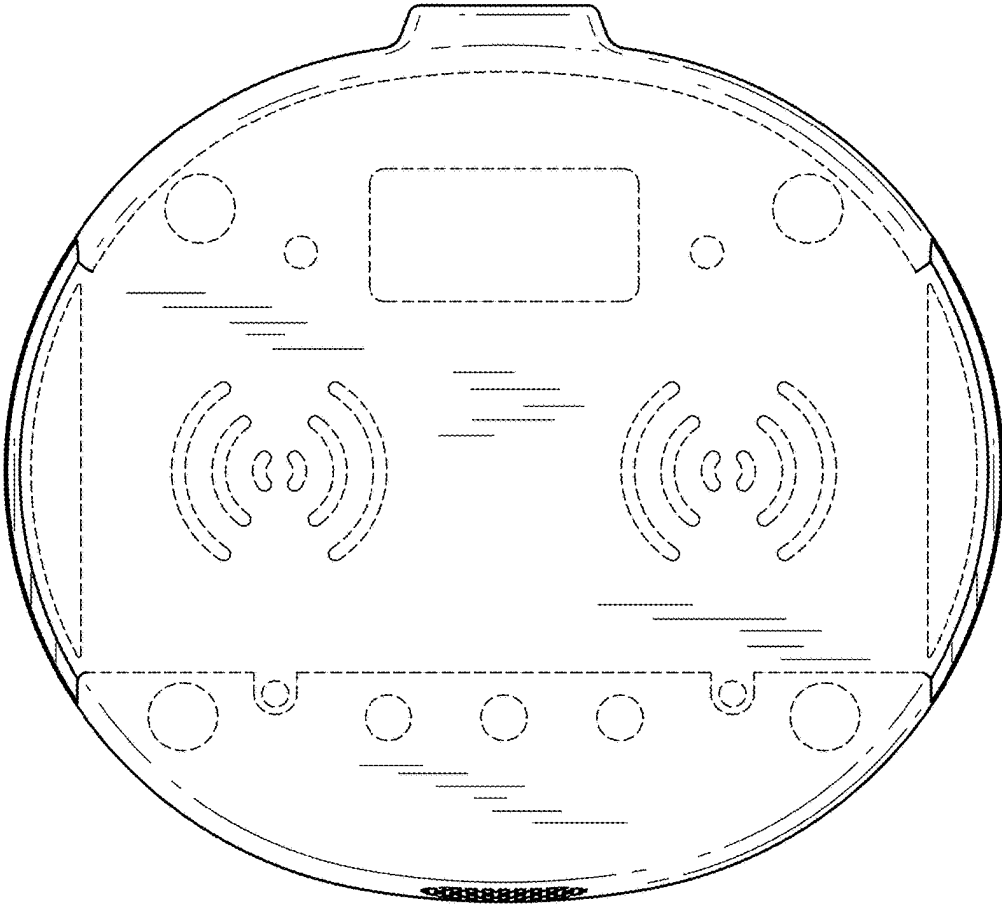


FIG. 8